

Varian, Inc.
Vacuum Technologies

The New VS C15
Industrial Component
Leak Detector



*Leak Detection Integration
Made Easy*

Inspiring Excellence



VARIAN

VS C15 – Industrial Component Leak Detector

Our new VS C15 Component Leak Detector simplifies the complex task of leak detection integration. The VS C15 raises the standard for **Ease of Integration, Communications Flexibility, Industrial Robustness, and Supportability** for today's industrial integration market.

Ease of Integration

One Box, Simple Interface

- Compact housing minimizes space requirements – everything needed to do the job is located within one box. Over 50% reduction in space when compared to competitive systems.
- Simplified interface with only two cables required, one for power, one for communications
- Does not require mounting modules or bulky, expensive interconnecting cables that are found standard in most leak detection systems today



Only two cables required



Turbo pump, spec tube, electronics all in one neat, space-saving package

Communications Flexibility

Limitless Communication Options

- Most comprehensive array of interface options, including serial, discrete I/O and Profinet. Other interface options to be made available when required.
- Optional color touch screen display allows access to system status information and all operating parameters



Optional display

Leak Detection Integration Made Easy

Industrial Robustness

Rugged, Compact Design

- Critical leak detector components are safely housed in a single enclosure protecting them from the industrial environment
- Selectable sensitivity scales and a Contra-Flow™ vacuum design ensures fast, accurate measurements while maximizing protection from contamination in industrial applications



Small, compact, self-contained footprint inside your system



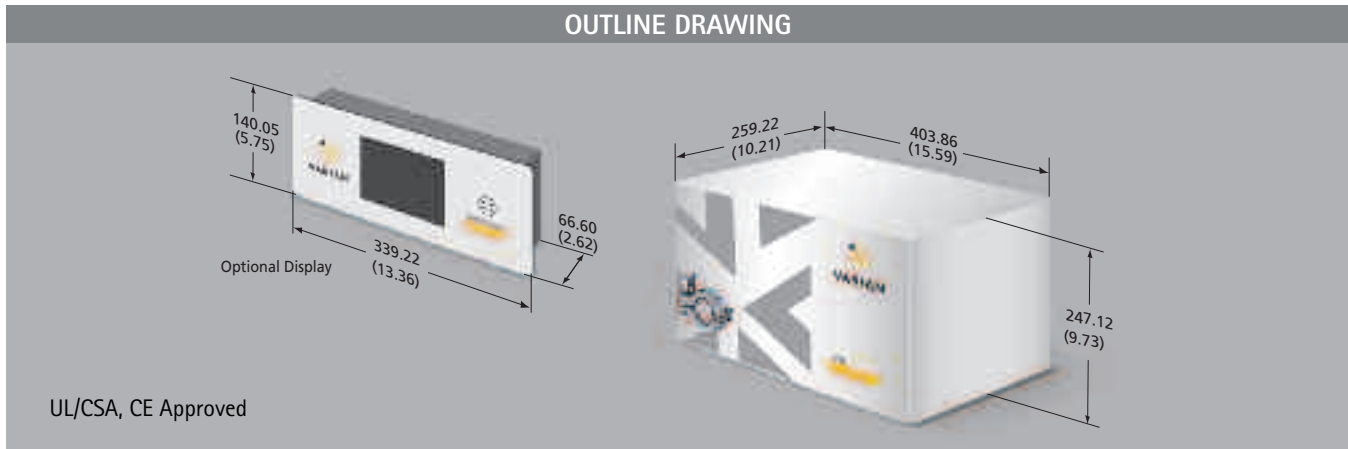
Supportability

Easy Service plus Remote Access Capability

- Single housing with easy access to all critical components
- Automatic upload/download of setup parameters
- Supported by Varian's industry leading *Advanced Exchange Program* when system replacement is required minimizing downtime
- Integrators team with Varian's *Global Support Network* to access the leak detector remotely utilizing Varian's RemoteCare to perform analysis for proactive system reviews or rapid problem resolution



Technical Specifications



TECHNICAL SPECIFICATIONS

Minimum Detectable Leak	5 x 10 ⁻¹⁰ atm cc/sec; 5 x 10 ⁻¹⁰ mbar l/s; 5 x 10 ⁻¹¹ Pa m ³ /sec
Selectable Sensitivity Ranges	4 working ranges covering 1 x 10 ⁻³ to 1 x 10 ⁻⁹ atm cc/sec
Maximum Test Port Pressure	5 Torr, 7 mbar, 667 Pa
Calibration Routine	Automated or manual (internal or external)
Background Suppression	Auto zero, and auto zero < zero function
Display Interface (optional)	High clarity TFT color touch screen
Display – Selectable Languages	English, French, German, Spanish, Japanese, Korean, Mandarin
Set Points	5 set points: 4 leak rate and/or pressure, 1 audio
Analog Output	0-10V, log 1V/decade & 2V/decade and linear (DB-9F)
Serial Interface	RS-232 isolated interface @9600 baud (DB-9M)
Discrete I/O	Optically isolated, 5-24VDC outputs and inputs (DB-25S)
Networking Interface (optional)	Profinet® I/O option (RJ45)
Power Input	24VDC: ± 5%; Max current: 4A (Molex 03-12-1036)
Operating temperature	5 to 48 °C

ORDERING INFORMATION

Description	Part Number
VS C15 Base Unit (9 kg. 19.8 lbs.)	VSC15BU
Options/Accessories	
Display and display cable – 10 ft.	VSC15DU
Display Cable – 10 ft.	VSCDUC10
24V External Power Supply	VSC15PS
Power Cord for Power Supply – 8 ft.	VSCBUPC8
Calibrated Leak – 1 x 10 ⁻⁷ atm cc/sec – factory installed	VSCFACCL
Calibrated Leak – 1 x 10 ⁻⁷ atm cc/sec – field installed	VSCFLDCL
ConvecTorr Gauge – 1/8 in. NPT	L9090301
ConvecTorr Gauge – NW 16 KF	L9090305
ConvecTorr Gauge – NW 25 KF	L9090306
Remote Gauge Cable – 10 ft.	VSCCTC10
Remote Gauge Cable – 25 ft.	VSCCTC25
Profinet® Interface Card – factory installed	VSCFACPN
Profinet® Interface Card – field installed	VSCFLDPN

The Varian Advantage

Global Applications Support *Expertise When & Where You Need It*



- Native language specialists available locally worldwide
 - Application specific consulting
- More than ten thousand installed systems delivering application solutions to customers in a broad range of industries

High Performance Instruments *VS Series Leak Detectors*



- Easy to Use
 - Powerful
 - Versatile
- Dependable

**Maximizing
Productivity
and Uptime**

Industry Leading Service & Support *Get The Most From Your Investment*



- Most extensive network of service engineers available locally to meet your needs
 - Exchange inventory for replacement components
 - On-site or factory repair
- Full range of standard and customized support plans



VARIAN

Varian, Inc. Vacuum Technologies

Varian, Inc. Vacuum Technologies

Benelux

Varian Vacuum Technologies
Herculesweg 8, 4338 PL Middelburg
PO Box 8033, 4330 EA Middelburg
The Netherlands
Tel: (31) 118 671570
Fax: (31) 118 671569

Canada

Central coordination through:
Varian, Inc.
121 Hartwell Avenue
Lexington, MA 02421
USA
Tel: (781) 861 7200
Fax: (781) 860 5437
Toll Free # 1 (800) 882 7426

China

Varian Technologies China, Ltd.
Room 1648, Central Tower South Wing
Beijing Junefield Plaza
No. 10 XuanWuMenWai Street
Beijing 100052
P.R. China
Tel: (86) 10 63108550
Fax: (86) 10 63100141
Toll Free: 800 820 6556

Varian Technologies China, Ltd.
Unit 1801, Central Plaza
No. 227 North Huanpi Road
Shanghai 200003
P. R. China
Tel.: (86) 21 3318-4918
Fax: (86) 21 6375-6848
Toll-Free: 800 820 6556

Varian Technologies China, Ltd.
Room 2508-11 West-Tower
YangCheng
Commercial Building TiYuDong Road
Guangzhou, 510620
P. R. China
Tel.: (86) 20 38871 469
Fax: (86) 20 38871 470
Toll-Free: 800 820 8266

France

Varian s.a.
7 avenue des Tropiques
Z.A. de Courtaboeuf - B.P. 12
91941 Les Ulis cedex
France
Tel: (33) 1 69 86 38 84
Fax: (33) 1 69 86 29 88

Germany and Austria

Varian Deutschland GmbH
Alsfelder Strasse 6
Postfach 11 14 35
64289 Darmstadt
Germany
Tel: (49) 6151 703 353
Fax: (49) 6151 703 302

India

Varian India Pvt. Ltd.
205-A, "A" wing of Galleria,
2nd Floor, Hiranandani Gardens,
Powai, Mumbai-400 076
India
Tel.: (91) 22-2570 8595/ 8597
Fax: (91) 22- 2570 8599

Italy

Varian, Inc.
via F.Ili Varian 54
10040 Leini, (Torino)
Italy
Tel: (39) 011 997 9 111
Fax: (39) 011 997 9 350

Japan

Varian Technologies Japan, Ltd.
Sumitomo Shibaura Building, 8th Floor
4-16-36 Shibaura Minato-ku
Tokyo 108
Japan
Tel: (81) 3 5232 1253
Fax: (81) 3 5232 1710
Toll Free: 0120 655 040

Varian Technologies Japan, Ltd.
Osaka Rep. Office, Shin-Osaka Doi Bldg.
7-5-25 Nishinakayima Yodogawa- ku
532-0011 Osaka
Japan
Tel.: (81) 6 6305 6607
Fax: (81) 6 6305 6556

Korea

Varian Technologies Korea, Ltd.
Shinsa 2nd Bldg. 2F
966-5 Daechi-dong
Kangnam-gu, Seoul
Korea 135-280
Tel: (82) 2 3452 2452
Fax: (82) 2 3452 2451
Toll Free: 080 222 2452

Mexico

Varian, S. de R.L. de C.V.
Concepcion Beistegui No 109
Col Del Valle
C.P. 03100
Mexico, D.F.
Tel: (52) 5 523 9465
Fax: (52) 5 523 9472

South East Asia

Varian Vacuum Technologies
South East Asia (SEA)
Alex Ho
H/P.: (601) 2213 1253
Fax: (603) 6733 8121
alex.ho@varianinc.com

Singapore

Varian Vacuum Technologies Singapore
Unit 10-04 Helios
Biopolis @ one-north
11 Biopolis Way
138667 Singapore
H/P.: (65) 92364988
Fax: (65) 64789603

Taiwan

Varian Technologies Asia Ltd.
14F-6, No.77, Hsin Tai Wu Rd., Sec. 1
Hsi chih, Taipei Hsien
Taiwan, R.O.C.
Tel: (886) 2 2698 9555
Fax: (886) 2 2698 9678
Toll Free: 0800 051342

Varian Technologies Asia, Ltd.
3F-11, No. 26, Tai-Yuan St.
Tai-Yuan Li, Hsinchu Hsien
Taiwan, R.O.C.
Tel.: (886) 3 552 6770
Fax: (886) 3 552 6771

UK and Ireland

Varian Ltd.
6 Mead Road
Oxford Industrial Park
Yarnton
Oxford OX5 1QU
England
Tel: (44) 1865 291570
Fax: (44) 1865 291571

United States

Varian, Inc.
121 Hartwell Avenue
Lexington, MA 02421
USA
Tel: (781) 861 7200
Fax: (781) 860 5437

Other Countries

Varian, Inc.
via F.Ili Varian 54
10040 Leini, (Torino)
Italy
Tel: (39) 011 997 9 111
Fax: (39) 011 997 9 350

Toll Free Number for United States
1 (800) 882 7426

Toll Free Number for Europe
00 800 234 234 00

List updated 10'08

